

Strong ^{AUTO}

PRODUCT CATALOG

OTHER



A STRONGHOLD BY PRECISION AND POWER

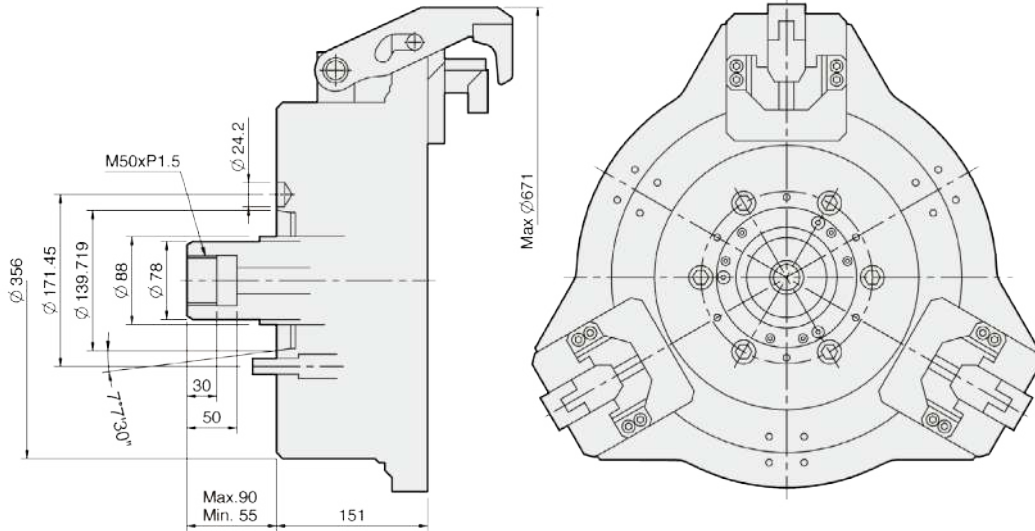


Product schematic

F52

High speed and light weight type strong finger chuck for aluminum wheel

1. F52 type of aluminum rim chuck that is made of high-grade alloy steel. All sliding surfaces are hardening processed and grinding treated to improve rotation and durability. Manufactured in special specification.
2. The mating parts can be directly installed and conform to DIN, BS, ISO, ASA, B5-9, A-type main shaft standards.



UNIT : mm

SPEC Model	Matching Wheel Size	Out Dai. Of Chuck (mm)	Matching Spindle	Max. Pull Force kN(kgf)	Max. Gripping Force kN(kgf)	Max. Operating Pressure MPa(kgf / cm ²)	Max. Speed (r.p.m.)	Weight (Without Jigs) (kg)	Matching Cylinder
F52A8	12"-18"	521	A2-8	33.9(3456)	32.4(3303)	3.3(33.6)	2800(18"2200)	98	MS125C35

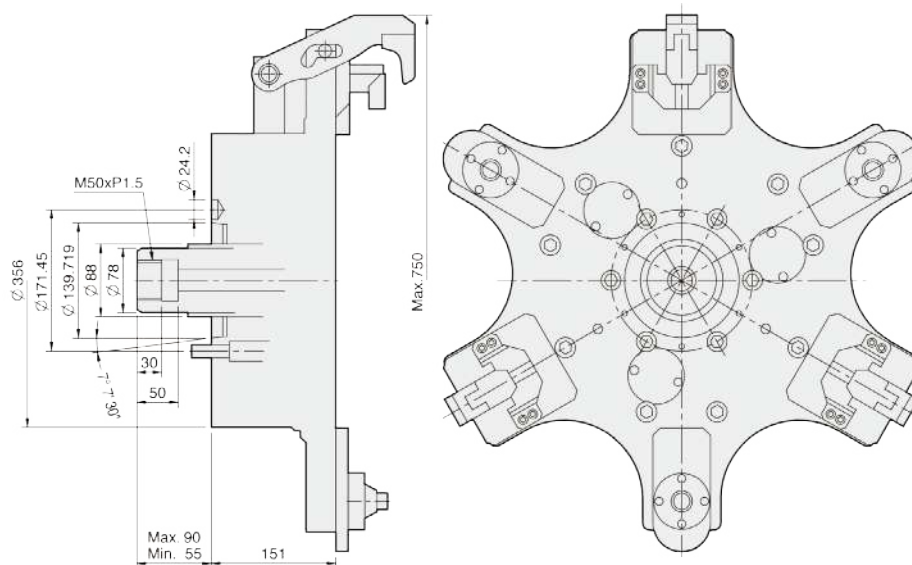


F61

High speed and light weight type strong finger chuck for aluminum wheel

1. F61 type of aluminum rim chuck that is made of high-grade alloy steel. All sliding surfaces are hardening processed and grinding treated to improve rotation and durability. Manufactured in special specification.
2. The mating parts can be directly installed and conform to DIN, BS, ISO, ASA, B5-9, A-type main shaft standards.

Product schematic



UNIT : mm

SPEC Model	Matching Wheel Size	Out Dai. Of Chuck (mm)	Matching Spindle	Max. Pull Force kN(kgf)	Max. Gripping Force kN(kgf)	Max. Operating Pressure MPa(kgf / cm ²)	Max. Speed (r.p.m.)	Weight (Without Jigs) (kg)	Matching Cylinder
F61A8	13"-22"	610	A2-8	33.9(3456)	32.4(3303)	3.3(33.6)	1500	145	MS125C35

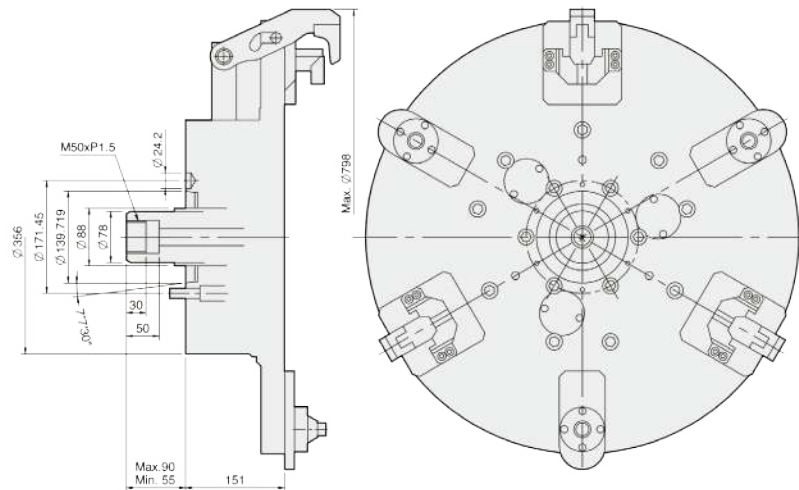


Product schematic

F66

High speed and light weight type strong finger chuck for aluminum wheel

1. F66 type of aluminum rim chuck that is made of high-grade alloy steel. All sliding surfaces are hardening processed and grinding treated to improve rotation and durability. Manufactured in special specification.
2. The mating parts can be directly installed and conform to DIN, BS, ISO, ASA, B5-9, A-type main shaft standards.



UNIT : mm

SPEC Model	Matching Wheel Size	Out Dai. Of Chuck (mm)	Matching Spindle	Max. Pull Force kN(kgf)	Max. Gripping Force kN(kgf)	Max. Operating Pressure MPa(kgf / cm ²)	Max. Speed (r.p.m.)	Weight (Without Jigs) (kg)	Matching Cylinder
F66A8	19"-24"	660	A2-8	33.9(3456)	32.4(3303)	3.3(33.6)	1500	182	MS125C35

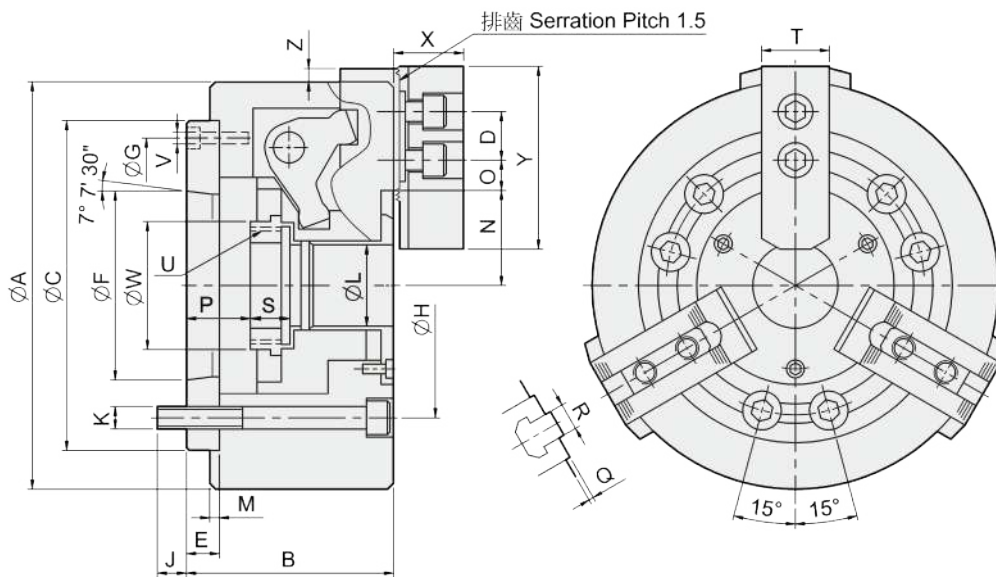


Product schematic

NL-A

3-jaw long stroke through-hole power chuck (adapter included)

1. Hollow type with super long stroke for crank structure
2. Made of high-strength alloy steel, the sliding surface is harden- processed and precisely ground.
3. Can clamp work piece of extreme different size at end faces.
4. The installation method is the same as the chuck of hollow N series, which are interchangeable directly.



UNIT : mm

SPEC Model	Through-Hole (mm)	Plunger Stroke (mm)	Jaw Stroke (In Dia.) (mm)	Max. Pull Force kN(kgf)	Max. Gripping Force kN(kgf)	Max. Operating Pressure MPa(kgf / cm ²)	Max. Speed (r.p.m.)	Weight (kg)	Moment Of Inertia I (kg · m ²)	Matching Cylinder	Matching Hard Jaw	Matching Soft Jaw	Gripping O.D. Range (mm)
NL-06A5	Ø40	15	24	2243	2651	28.5	3600	14.8	0.065	M1246	HJ06	HC06	Ø35-Ø168
NL-08A6	Ø48	20	32	3701	4190	27.5	3000	28	0.21	M1552	HJ08	HC08	Ø50-Ø215
NL-10A8	Ø66	25	37.5	4853	4486	29.5	2400	43.5	0.44	M1875	HJ10	HC10	Ø55-Ø256

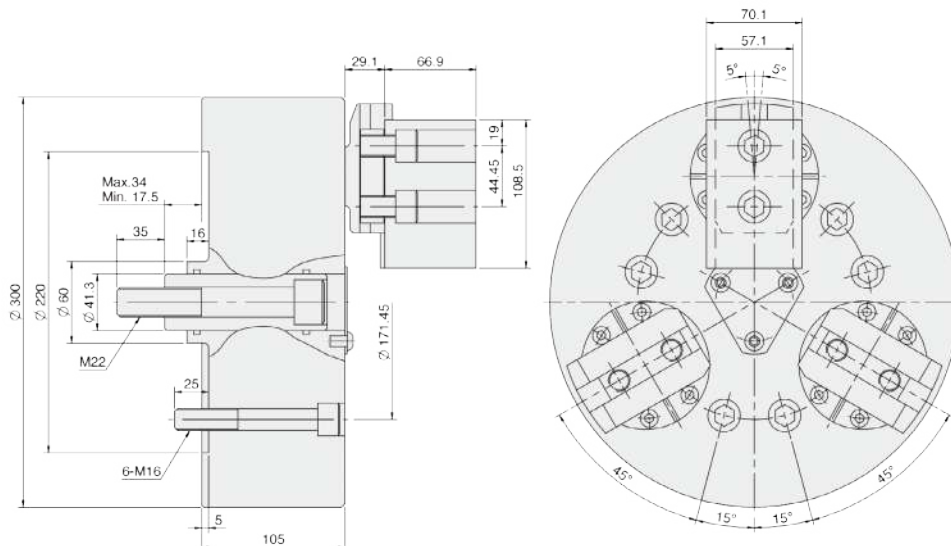
DIM Model	A	B	C (H6)	D	E	F	G	H	J	K	L	M	N max.	O max.	O min.	P max.	P min.	Q	R	S	T	U max.	V	W	X	Y	Z
NL-06A5	168	96	140	20	15	82.563	116	104.78	16	6-M10	40	5	49	16.75	7.75	26	11	2	12	19	31	M55x2	3xM6	60	37	73	10
NL-08A6	215	112	170	25	17	106.375	150	133.35	18	6-M12	48	5	60.5	20.75	11.75	31.5	11.5	2	14	20.5	35	M60x2	3xM6	66	38	95	10
NL-10A8	256	125	220	30	18	139.719	190	171.45	24	6-M16	66	5	74.5	24.75	11.25	26.5	1.5	2	16	25	40	M85x2	3xM8	94	43	110	12.5



BL

3-jaw ball swing lock chuck

1. The chuck can attract the workpiece and hold it on.
The jaw operates in two stages :
Clamping pull back, so it can hold the workpiece exactly on the position in front of the chuck, and make it under the stable situation.
2. The chuck can grasp the workpiece on both O.D. and I.D. clamping.
The chuck can switch between O.D. and I.D. clamping mode by a simple operation.
3. The chuck can grasp the part of the taper. The chuck can exactly grasp the black surface of the cast irons, which has draft.
So the discard process can be ignored on the chucking part of the workpiece.(It can grasp up to a 20 degree taper when using a clipper.)
4. The jaw can equalize on the O.D. clamping, so it can grasp the workpiece steady. (Jaw self-equalizing to max 5°)
5. Dustproof performance is excellent. It is differ from regular general purpose chuck. It is structurally dustproof. Especially there is a dustproof seal in the part of lock arm to prevent the dust.



UNIT : mm

SPEC Model	Plunger Stroke (mm)	Jaw Stroke (In Dia.) (mm)	Max. Pull Force kN(kgf)	Max. Gripping Force kN(kgf)	Max. Operating Pressure MPa(kgf / cm ²)	Max. Speed (r.p.m.)	Weight (kg)	Moment Of Inertia I (kg · m ²)	Matching Cylinder	Matching Soft Jaw	Gripping Range O.D. Range / I.D. Range
BL-12	17.5	12.4	40.7(4152)	122(12440)	2.8(28.5)	2800	65	0.18	MS150C	BL-12	Ø63-Ø240 / Ø127-Ø305

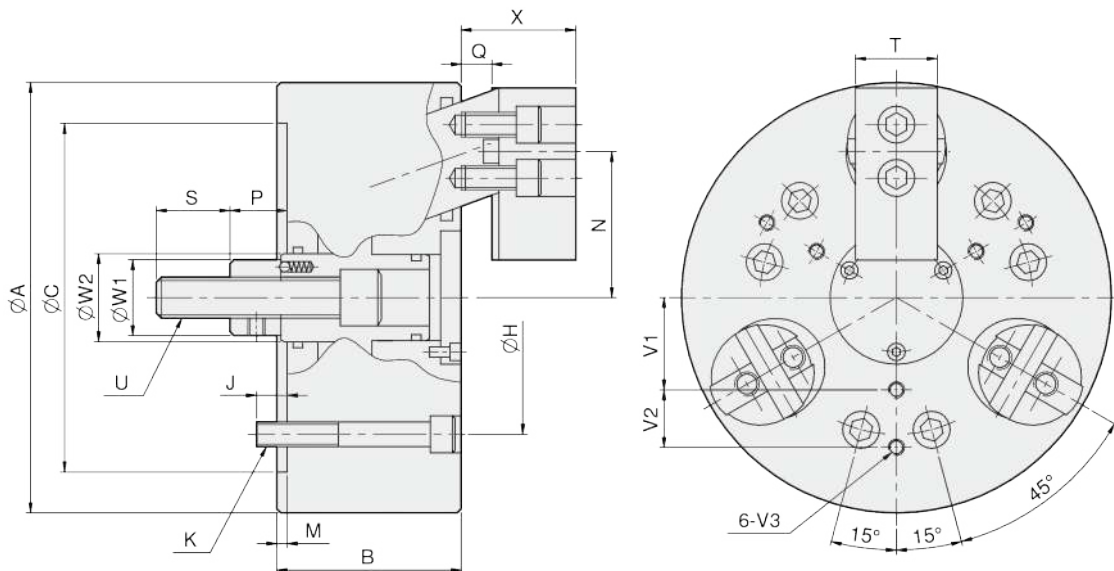
DR

3-jaw draw down power chuck



1. Back-pull hydraulic chuck for radial clamping and strong back-pull at same time, suitable for processing of castings and forgings
2. Back-pull clamping keeps the work-piece appressed closely to the reference surface to make the clamping stable and suitable for heavy cutting.
3. The cylindrical sliding structure supports the long-time usage and ensures excellent accuracy of repeated clamping.
4. Accurate self-centering and strong clamping of the work piece without floatability. It is most suitable for those require lengthy and precise processing works.

Product schematic



UNIT : mm

SPEC Model	Plunger Stroke (mm)	Jaw Stroke (In Dia.) (mm)	Max. Pull Force kN(kgf)	Max. Gripping Force kN(kgf)	Max. Operating Pressure MPa(kgf / cm ²)	Max. Speed (r.p.m.)	Weight (kg)	Moment Of Inertia I (kg · m ²)	Matching Cylinder	Matching Soft Jaw	Gripping O.D. Range (mm)
DR-06	10	7.2	15(1530)	25(2549)	2.1(21.4)	3500	15	0.05	MS105C	DR-06	Ø35-Ø165
DR-08B	10	7.2	25(2549)	45(4589)	2.5(25.5)	3000	25	0.14	MS125C	DR-08	Ø40-Ø210
DR-10	16	11.6	35(3569)	60(6118)	3.3(34)	2500	46	0.374	MS125C	DR-10	Ø50-Ø254
DR-10D	16	11.6	35(3569)	60(6118)	3.3(34)	2500	46.1	0.376	MS125C	DR-10	Ø54-Ø254
DR-12	16	11.6	44(4487)	71(7240)	3(30.6)	2000	76	0.88	MS150C	DR-12	Ø50-Ø304

DIM Model	A	B	C	H	J	K	M	N max.	N min.	P max.	P min.	Q max.	Q min.	S	T	U	W1	W2	X max.	X min.	V1	V2	V3
DR-06	165	85	140	104.78	16	6xM10	5	58	54.4	33	23	14	4	36	35	M16x2.0	32	33.5	45	35	35	20	M6x12
DR-08B	210	90	170	133.35	15	6xM12	5	71.3	67.7	38	28	15	5	36	40	M20x2.5	37	42	56	46	45	25	M8x16
DR-10	254	110	220	171.45	23	6xM16	5	85.4	79.6	48	32	20	4	46	50	M24x3.0	50	60	66	50	55	30	M8x16
DR-10D	254	110	220	171.45	23	6xM16	5	87.8	82	48	32	22.6	6.6	46	50	M24x3.0	50	60	68.6	52.6	85	30	M12x18
DR-12	304	125	220	171.45	23	6xM16	5	102.9	97.1	47	31	21.5	5.5	50	60	M27x3.0	52	60	72.5	56.5	100	35	M12x18

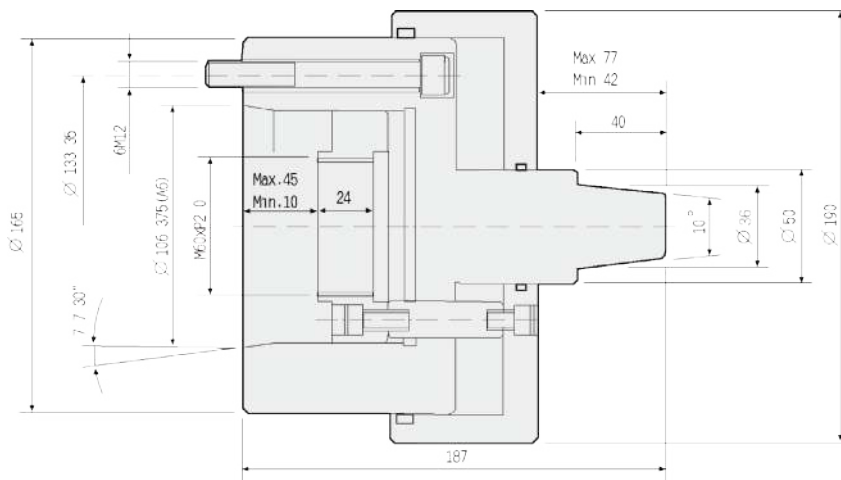


P165

Floating plate center chuck

- Suitable for easy one step cutting of thin holes, plate and outside diameter.

Product schematic



Possible processing range

UNIT : mm

SPEC Model	Plunger Stroke (mm)	Max. Operating Pressure MPa(kgf / cm ²)	Max. Speed (r.p.m.)	Weight (kg)	Moment Of Inertia I (kg · m ²)	Matching Cylinder
P165	35	1.0(10)	6000	18.5	0.02	MS125C35



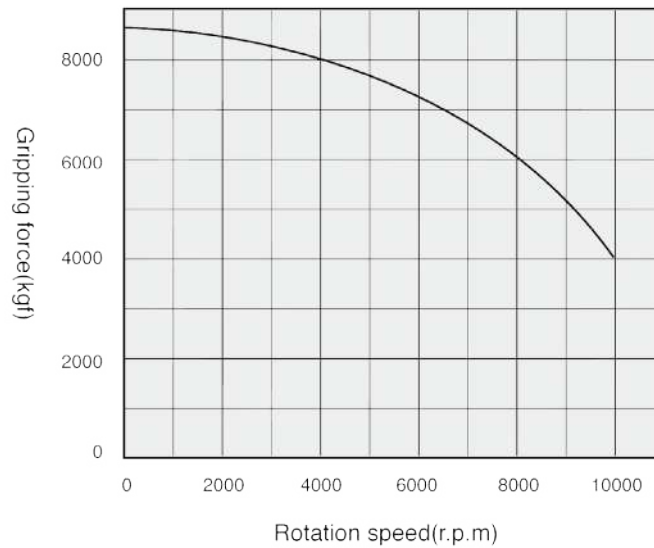
Product schematic

HN

3-jaw extra high speed through-hole power chuck(adapter included)

1. Possible 10,000 r.p.m. highest speed chuck.
2. Model HN chucks are assembled with adaptor for ASA B5.9 type A spindles.
3. Model HN chucks are manufactured from high grade alloy steel. All sliding surfaces are hardened and ground for accurate actual running and long service repeatability.

GRIPPING CHARACTERISTIC GRAPH



UNIT : mm

SPEC Model	Through-Hole (mm)	Plunger Stroke (mm)	Jaw Stroke (In Dia.) (mm)	Max. Pull Force kN(kgf)	Max. Gripping Force kN(kgf)	Max. Operating Pressure MPa(kgf / cm ²)	Max. Speed (r.p.m.)	Weight (kg)	Moment Of Inertia I (kg · m ²)	Matching Cylinder	Matching Soft Jaw	Gripping O. D. Range (mm)
HN-06	Ø36	12	5.5	30(3050)	79.4(8100)	2.9(30)	10000	11.5	0.035	HG-1336	Model-A	Ø14-Ø51

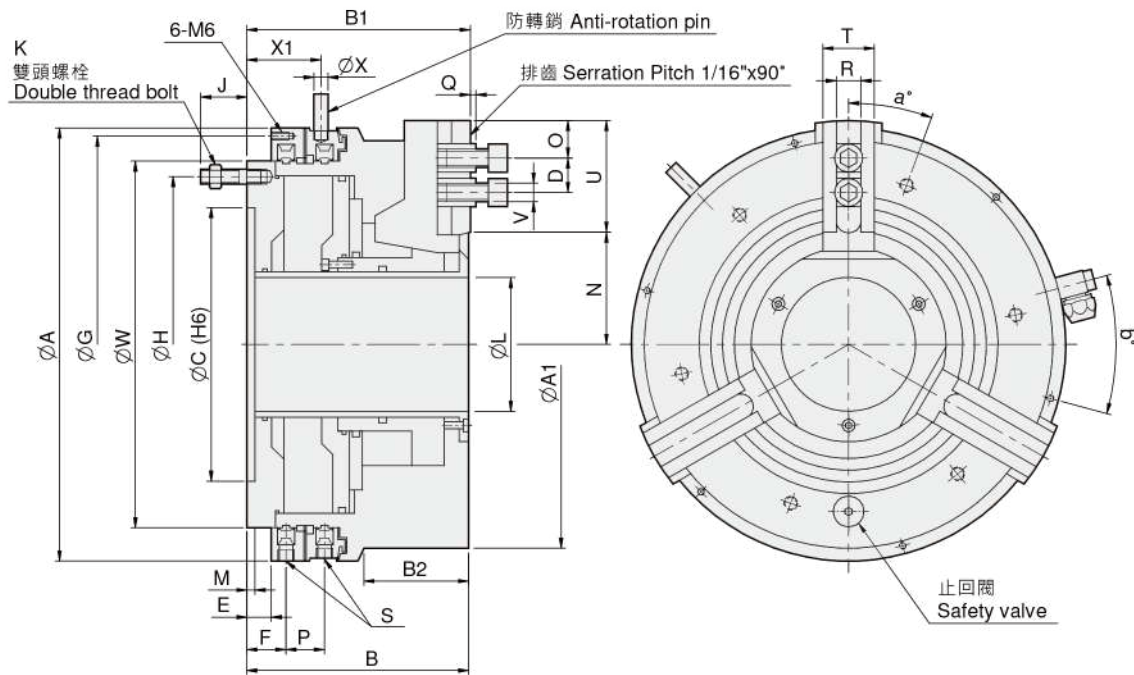


Product schematic

SB-ES

Pneumatic power chuck

1. Commonly used on lathes and turntables.
2. Suitable for Pneumatic chuck of outer diameter clamping that contains a structure of pneumatic cylinder.
3. Possess the feature of fast and clamping with two-stage jaw stroke.



UNIT : mm

SPEC Model	Through-Hole (mm)	Total Jaw Stroke (mm)	Fast Jaw Stroke (mm)	Clamping Jaw Stroke (mm)	Piston Area (cm ²)	Operating Pressure Min.-Max. (bar)	Gripping Force* (kN)	Max. Speed (r.p.m.)	Weight (kg)	Moment Of Inertia I (kg · m ²)	Air* Consumption (L)	Matching Hard Jaw	Matching Soft Jaw	Gripping O.D. Range (mm)
350-115	115	15	10	5	486	2-10	88	2200	104	1.82	13.5	SB350	SB350	Ø30-Ø360

*When operating pressure at 6 bar.

DIM Model	A	A1	B	B1	B2	C	D max./min.	E	F	G	H	J	K	L	M	N max./min.	O min.	P	Q	R	S	T	U	V	W	X	X1	a°	b°
350-115	372	360	190	191.5	92	235	64/28	21	33.5	358	290.5	39.5	6-M12	115	6.5	100/85	12	33	3	21	G1/4"	44	92	M16	315	12	61	20	15

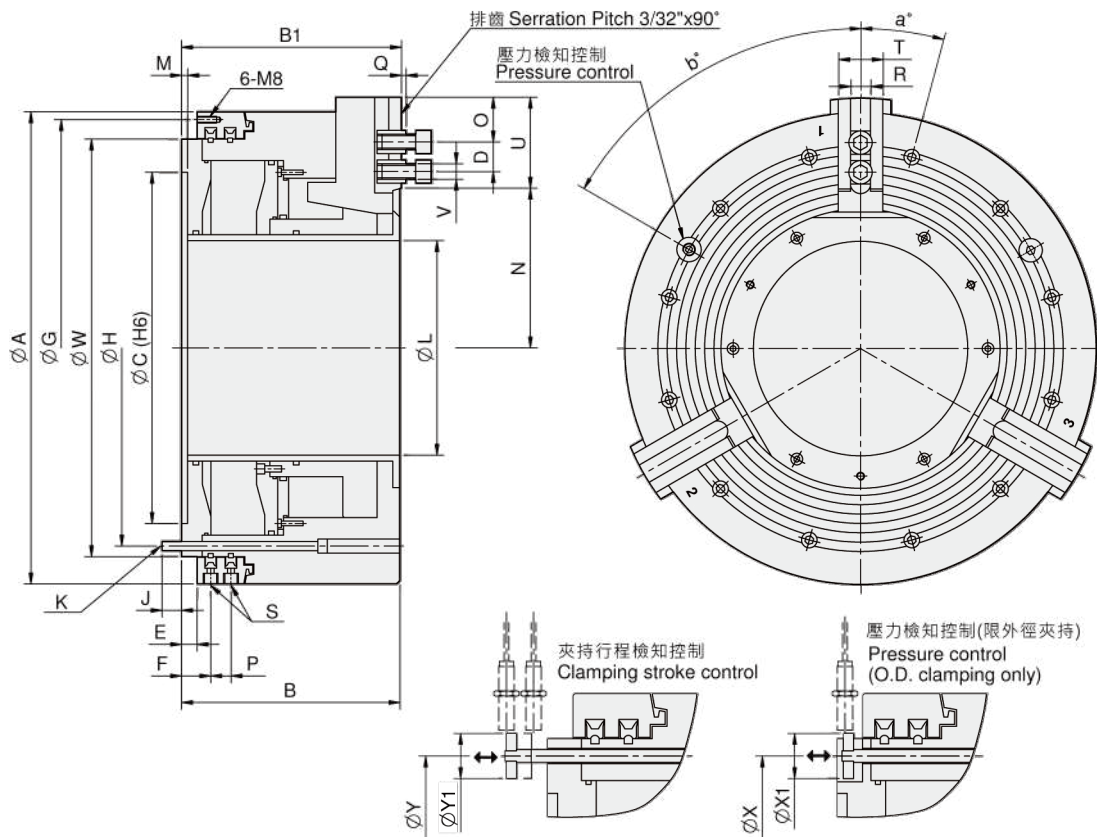


PB-ES

Pneumatic power chuck

1. Suitable for Pneumatic chuck of outer diameter clamping that contains a structure of pneumatic cylinder.
2. Possess the feature of fast and clamping with two-stage jaw stroke.
3. Can check up the internal pressure during clamping.
4. Can check up clamping stroke.

Product schematic



UNIT : mm

SPEC Model	Through-Hole (mm)	Total Jaw Stroke (mm)	Fast Jaw Stroke (mm)	Clamping Jaw Stroke (mm)	Piston Area (cm ²)	Operating Pressure Min.-Max. (bar)	Gripping* Force (kN)	Max. Speed (r.p.m.)	Weight (kg)	Moment Of Inertia I ₁ (kg · m ²)	Air* Consumption (L)	Matching Hard Jaw	Matching Soft Jaw	Gripping O.D. Range (mm)
600-275	275	25.4	16.9	8.5	954	2-10	180	1100	360	20.6	39.5	PB600	PB600	Ø135-Ø275
850-375	375	25.4	13.4	12	1342	2-10	250	750	980	110	68	PB850	PB850	Ø115-Ø375

*When operating pressure at 6 bar.

DIM Model	A	B	B1	C	D max./min.	E	F	G	H	J	K	L	M	N max./min.	O min.	P	Q	R	S	T	U	V	W	X	X1	Y	Y1	a°	b°
600-275	605	280	282	450	79/38	20	37	585	508	25	12-M12	275	8	204.6/179.2	14	26	3	25.5	G1/2	57	116.5	M20	535	508	35	508	35	15	60
850-375	850	352	354	700	140/47	25	44.5	830	745	30	12-M16	375	8	268/242.6	16	33	4	30	G1/2	75	182	M24	775	745	35	745	35	15	60