

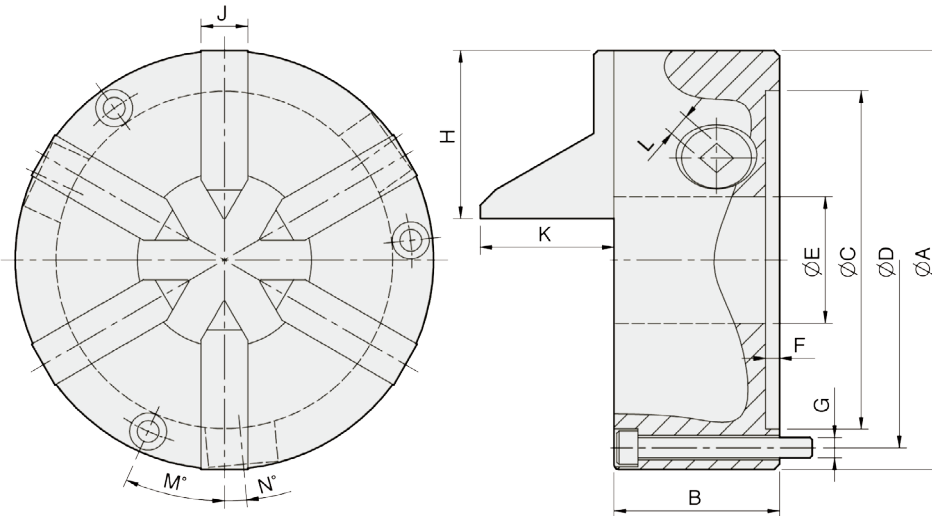


Product schematic

SE

6-jaw scroll chuck plain back

1. SE types are specially meet for drilling*endmilling*tapping or grinding in tool grinders.
2. Huge bore diameter design for wider application of bar workpieces.
3. SE type feature gripping for thin tube and high roundness accuracy.
4. The body is made of MEEHANITE. It is suitably used for high speed revolution and 3 times more durable than regular material.



UNIT : mm

SPEC Model	A	B	C	D	E	F	G	H	J	K	L	M	N	Allowable Handle Torque (kgf · m)	Gripping Force (kgf)	Max. Speed (r.p.m.)	Weight (kg)	Moment Of Inertia I (kg · m ²)	Gripping O.D. Range
SE-4	112	66	80	95	32	4.8	3-M8×65	45	14	39.7	8	30	6.5	1.6	440	1200	4	—	Ø2-Ø32
SE-6	165	67	130	147	51	5.5	3-M8×70	66.5	19	40.7	10	23.3	6.2	2.8	660	1200	9	0.03	Ø3-Ø51
SE-7	192	76.5	155	172	80	5.5	3-M10×75	77	21.5	61.5	11	24	5.3	3.6	850	1000	14	0.06	Ø3-Ø80