



Product schematic

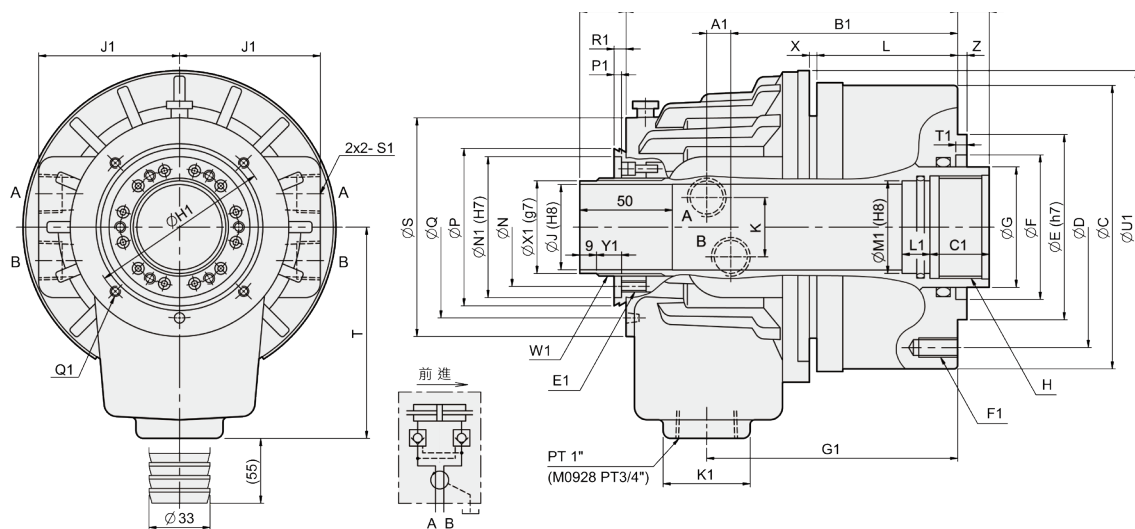
# M

## High speed through-hole rotary hydraulic cylinder

1. Compact and light weight :  
Comparing with the regular product, it is compact (reduced to MAX 95mm) and lighter (weighted MAX 4.5kg). It's more stable to reduce the burden of the machinery at high speed turning.
2. The largest bore : Comparing with the regular product, it has about 20% larger bore diameter for utilizing the capacity of machinery.
3. The safety structure : It can retain the gripping force by check valve.

UNIT : mm

SPEC Model	Piston Dia. (mm)	Piston Area (cm <sup>2</sup> ) Push Side / Pull Side	Max. Draw Bar Force kN(kgf) Push Side / Pull Side	Piston Stroke (mm)	Max. Operating Pressure MPa(kgf / cm <sup>2</sup> )	Max. Speed (r.p.m)	Moment Of Inertia I (kg · m <sup>2</sup> )	Weight (kg)	Total Leakage L/min
M0926A	90	53.2 / 48.3	19.9(2029) / 18(1835)	10	4.0(40.8)	8000	0.006	5.7	3.0
M0928A	90	53.2 / 48.3	19.9(2029) / 18(1835)	10	4.0(40.8)	8000	0.006	5.5	3.0
M1036	105	71 / 68.5	26(2651) / 25(2549)	15	4.0(40.8)	8000	0.011	8.6	3.0
M1038	105	71 / 66	26(2651) / 24.5(2498)	15	4.0(40.8)	8000	0.011	8.5	3.0
M1236	125	100 / 89	38(3875) / 33(3365)	15	4.0(40.8)	7000	0.019	13	3.0
M1246	125	100 / 89	38(3875) / 33(3365)	15	4.0(40.8)	7000	0.019	12	3.0
M1546	155	161 / 154	60(6118) / 57.8(5894)	22	4.0(40.8)	6200	0.056	18	3.9
M1552	155	161 / 150	60(6118) / 56(5710)	22	4.0(40.8)	6200	0.052	16.8	3.9
M1768	175	184 / 183	69.3(7067) / 69(7036)	25	4.0(40.8)	4700	0.096	27.5	4.2
M1870	180	198 / 183	74(7546) / 69(7036)	25	4.0(40.8)	4700	0.095	26.5	4.2
M1875	180	198 / 183	74(7546) / 69(7036)	25	4.0(40.8)	4700	0.095	26	4.2
M1878	180	198 / 183	74(7546) / 69(7036)	25	4.0(40.8)	4700	0.095	25.5	4.2
M2078	205	262 / 234	98(9993) / 88(8973)	23	4.0(40.8)	3800	0.15	36.5	4.5
M2085	205	252 / 234	94(9585) / 88(8973)	30	4.0(40.8)	3800	0.15	37.5	4.5
M2091	205	252 / 234	94(9585) / 88(8973)	30	4.0(40.8)	3800	0.15	37	4.5
M2511S	250	348 / 336	124(12644) / 120(12236)	23	4.0(40.8)	2800	0.41	53	7.0



UNIT : mm

DIM Model	A1	B1	C1	E1	F1	G1	H1	J1	K1	L1	M1	N1	P1	Q1	R1	S1	T1	U1	W1	X1	Y1
M0926A	9	108	25	8-M5x10	6-M8x15	110	76	58	44	15	30	53	4	4-M4x7	5	PT 1/4"	6	116	M34x1.5	32	15
M0928A	9	108	25	8-M5x10	6-M8x15	110	76	58	44	15	34	53	4	4-M4x7	5	PT 1/4"	6	116	M34x1.5	32	15
M1036	11	120.5	25	6-M5x10	6-M10x17	126	88	68	53	15	38	64	4	6-M5x12	5	PT 3/8"	6	136	M44x1.5	42	14
M1038	11	120.5	25	6-M5x10	6-M10x17	126	88	68	53	15	40	64	4	6-M5x12	5	PT 3/8"	6	136	M44x1.5	42	14
M1236	11	126.5	25	6-M6x12	12-M10x20	135	98	76	47	15	38	76	4	4-M5x12	6	PT 1/2"	6	169	M52x1.5	50	14
M1246	11	126.5	30	6-M6x12	12-M10x20	135	98	76	47	15	50	76	4	4-M5x12	6	PT 1/2"	6	169	M52x1.5	50	14
M1546	11	133.5	30	6-M6x12	12-M10x20	145	110	86	47	15	50	85	4	4-M6x12	7	PT 1/2"	6	188	M58x1.5	56	13.5
M1552	11	133.5	30	6-M6x12	12-M10x20	145	110	86	47	15	55	85	4	4-M6x12	7	PT 1/2"	6	188	M58x1.5	56	13.5
M1768	17.5	152.5	35	6-M6x12	12-M10x20	166	155	101	47	15	70	108	4	4-M6x12	7.5	PT 1/2"	6	215	M84x2	81	12.5
M1870	17.5	152.5	35	6-M6x12	12-M10x20	166	155	101	47	15	75	108	4	4-M6x12	7.5	PT 1/2"	6	215	M84x2	81	12.5
M1875	17.5	152.5	35	6-M6x12	12-M10x20	166	155	101	47	15	80	108	4	4-M6x12	7.5	PT 1/2"	6	215	M84x2	81	12.5
M1878	17.5	152.5	35	6-M6x12	12-M10x20	166	155	101	47	20	82	108	4	4-M6x12	7.5	PT 1/2"	6	215	M84x2	81	12.5
M2078	21	166.5	35	6-M6x12	12-M12x24	182	165	110	47	20	84	120	4	4-M6x12	7	PT 1/2"	6	240	M99x2	96	20
M2085	21	166.5	35	6-M6x12	12-M12x24	182	165	110	47	20	89	120	4	4-M6x12	7	PT 1/2"	6	240	M99x2	96	13
M2091	21	166.5	35	6-M6x12	12-M12x24	182	165	110	47	15	95	120	4	4-M6x12	7	PT 1/2"	6	240	M99x2	96	13
M2511S	21	169.5	45	6-M6x12	12-M16x32	192	206	132	55	20	123	160	5	4-M6x12	7	PT 1/2"	6	294	—	134.6	—

DIM Model	C	D	E	F	G	H	J	K	L	N	P	Q	S	T	U	V max.	V min.	W max.	W min.	X	Z
M0926A	120	100	80	65	44	M34x1.5	26	25	63	44	59	76	90	105	151	14	4	35	25	3	5
M0928A	120	100	80	65	44	M38x1.5	28	25	63	44	59	76	90	105	151	14	4	35	25	3	5
M1036	136	115	100	65	48	M42x1.5	36	32	71	55	73	88	104	115	174.5	15	0	39	24	2.5	5
M1038	136	115	100	65	50	M44x1.5	38	32	71	55	73	88	104	115	174.5	15	0	39	24	2.5	5
M1236	155	130	100	80	65	M42x1.5	36	36	76	64	85	98	118	114	179	15	0	40	25	4	5
M1246	155	130	100	80	65	M55x2	46	36	76	64	85	98	118	114	179	15	0	40	25	4	5
M1546	190	170	130	85	65	M55x2	46	36	84	73	96	114	137	130	190.5	22	0	47.5	25.5	3.5	5
M1552	190	170	130	85	70	M60x2	52	36	84	73	96	114	137	130	190.5	22	0	47.5	25.5	3.5	5
M1768	215	190	160	120	85	M75x2	68	36	95	98	121	140	165	159	225	25	0	50	25	3	5
M1870	215	190	160	120	95	M78x2	70	36	95	98	121	140	165	159	225	25	0	50	25	3	5
M1875	215	190	160	120	95	M85x2	75	36	95	98	121	140	165	159	225	25	0	50	25	3	5
M1878	215	190	160	120	95	M87x2	78	36	95	98	121	140	165	159	225	25	0	50	25	3	5
M2078	240	215	180	140	110	M90x2	78	36	104	108	138	158	182	177	248	23	0	55	32	3	5
M2085	240	215	180	140	110	M93x2	85	36	104	108	138	158	182	177	248	30	0	55	25	3	5
M2091	240	215	180	140	110	M100x2	91	36	104	108	138	158	182	177	248	30	0	55	25	3	5
M2511S	310	275	230	166	140	M130x2	117.5	36	101	148	178	190	232	215	258	24	1	38	15	3	6