

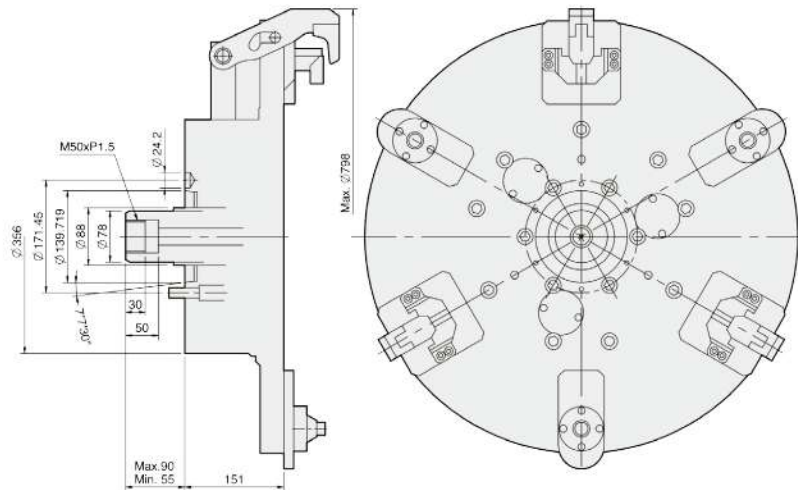


Product schematic

# F66

## High speed and light weight type strong finger chuck for aluminum wheel

1. F66 type of aluminum rim chuck that is made of high-grade alloy steel. All sliding surfaces are hardening processed and grinding treated to improve rotation and durability. Manufactured in special specification.
2. The mating parts can be directly installed and conform to DIN, BS, ISO, ASA, B5-9, A-type main shaft standards.



UNIT : mm

SPEC Model	Matching Wheel Size	Out. Dai. Of Chuck (mm)	Matching Spindle	Max. Pull Force kN(kgf)	Max. Gripping Force kN(kgf)	Max. Operating Pressure MPa(kgf / cm <sup>2</sup> )	Max. Speed (r.p.m.)	Weight (Without Jigs) (kg)	Matching Cylinder
F66A8	19"-24"	660	A2-8	33.9(3456)	32.4(3303)	3.3(33.6)	1500	182	MS125C35